

REPLACEMENT PARTS LIST

P/N: SK178061-3 PILOT SEAT, UH-1
NSN: 1680-00-933-9384

P/N: SK178062-3 CO-PILOT SEAT, UH-1
NSN: 1680-00-933-9385



Meets:
MIL-S-81771A
MIL-A-46103A
1560-MULTI-001 Type I Class 1

Threat Level:
Defeats 30 Caliber (7.62 mm)
Armor Piercing at Muzzle Velocity

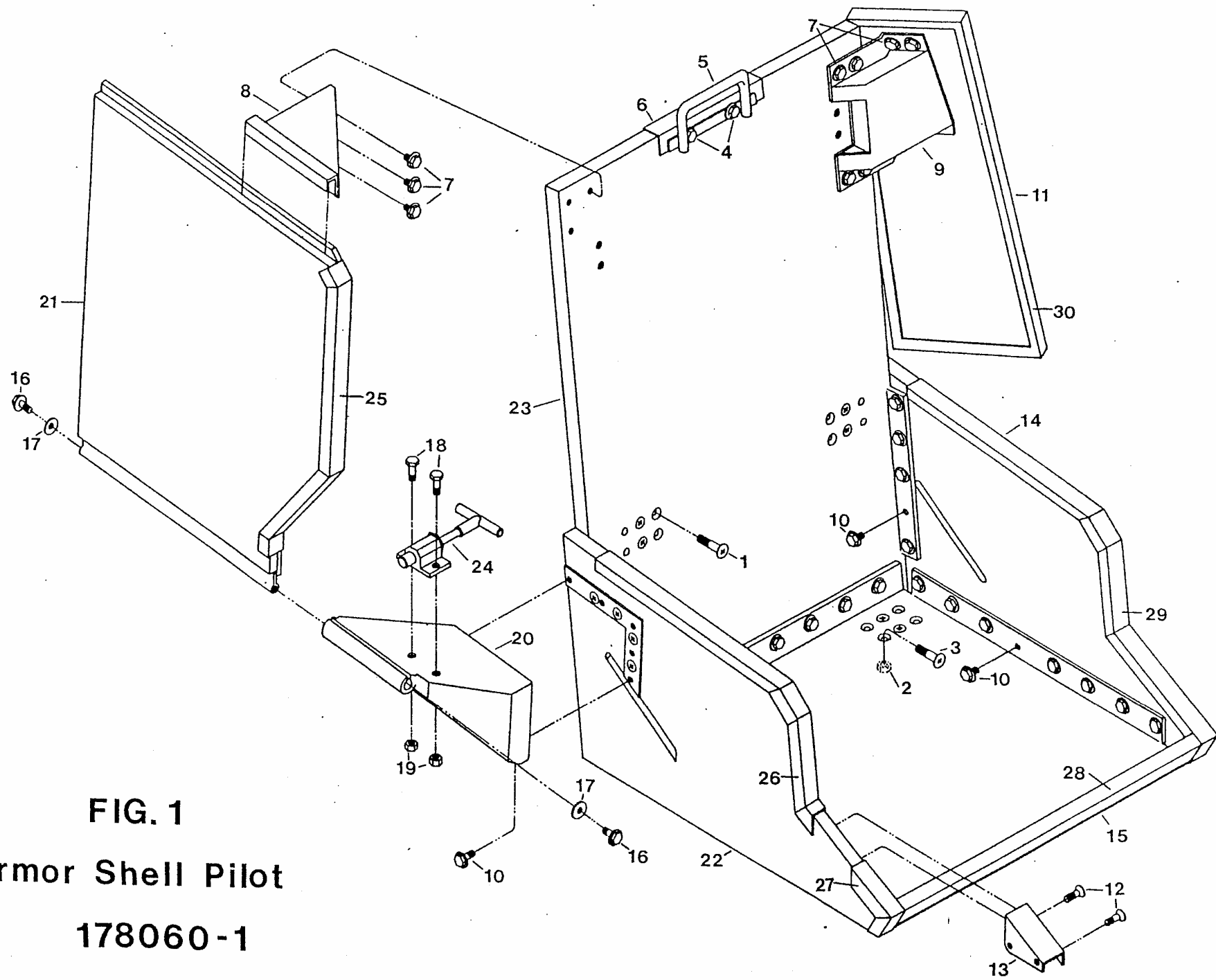


FIG. 1
Armor Shell Pilot
178060-1

FIG. 1 ARMOR SHELL PILOT 178060-1 (NSN: 1680-00-944-7925)

ITEM NO.	NATIONAL STOCK NUMBER	SKYLINE-SPINKS PART NUMBER	DRAWING REVISION	DESCRIPTION	QTY/ASSY.
1	5305-00-058-4011	MS24694S105		SCREW, MACHINE	4
2	5310-00-877-5796	MS21044N4		NUT, SELF-LOCKING	8
3	5306-00-058-4011	MS24694S105		SCREW, MACHINE	8
4	5306-00-932-5199	178010-13		BOLT, SELF-LOCKING	2
5	1680-00-176-1107	178057-2		GUIDE, SHOULDER HARNESS	1
6		178065-1		RUNNER, SHOULDER HARNESS	1
7	5306-00-924-7770	178010-5		BOLT, SELF-LOCKING	11
8	1680-00-977-1824	178055-1		BRACKET, CHANNEL	1
9	1680-00-975-0242	178056-1		BRACKET, ANGLE-PILOT	1
10	5360-00-924-7768	178010-1		BOLT, SELF-LOCKING	39
11	1680-00-977-1971	178040-1		PLATE, ARMOR, SEAT INBOARD	1
12	5305-00-900-0594	MS24693S70		SCREW, MACHINE	2
13	1680-00-977-1964	178053-1		BRACKET	1
14	1680-00-975-0193	178050-1		PLATE, ARMOR, SEAT	1
15	1680-00-975-0199	178044-1		PLATE, ARMOR, SEAT	1
16	5306-00-924-7771	178010-7		BOLT, SELF-LOCKING	2
17	5310-00-837-2139	177771-3		WASHER, PLAIN SLIDING	2

FIG. 1 ARMOR SHELL PILOT 178060-1 (NSN: 1680-00-944-7925)

ITEM NO.	NATIONAL STOCK NUMBER	SKYLINE-SPINKS PART NUMBER	DRAWING REVISION	DESCRIPTION	QTY/ASSY.
18	5306-00-151-1426	AN4-6A		BOLT, MACHINE	2
19	5310-00-877-5796	MS21044N4		NUT, SELF-LOCKING	2
20	1680-00-181-3593	178054-11		BRACKET, LOWER ARMOR	1
21	1680-00-975-0201	178036-1		PLATE, ARMOR SEAT	1
22	1680-00-977-1977	178052-1		PLATE, ARMOR SEAT	1
23	1680-00-975-0197	178046-1		PLATE, ARMOR SEAT	1
24	1680-00-883-1673	177778-5		LATCH, ARMOR SEAT	1
25		SKS 80-1		RUBBER EDGING	1
26		SKS 80-2		RUBBER EDGING	1
27		SKS 80-3		RUBBER EDGING	1
28		SKS 80-4		RUBBER EDGING	1
29		SKS 80-5		RUBBER EDGING	1
30		SKS 80-6		RUBBER EDGING	1

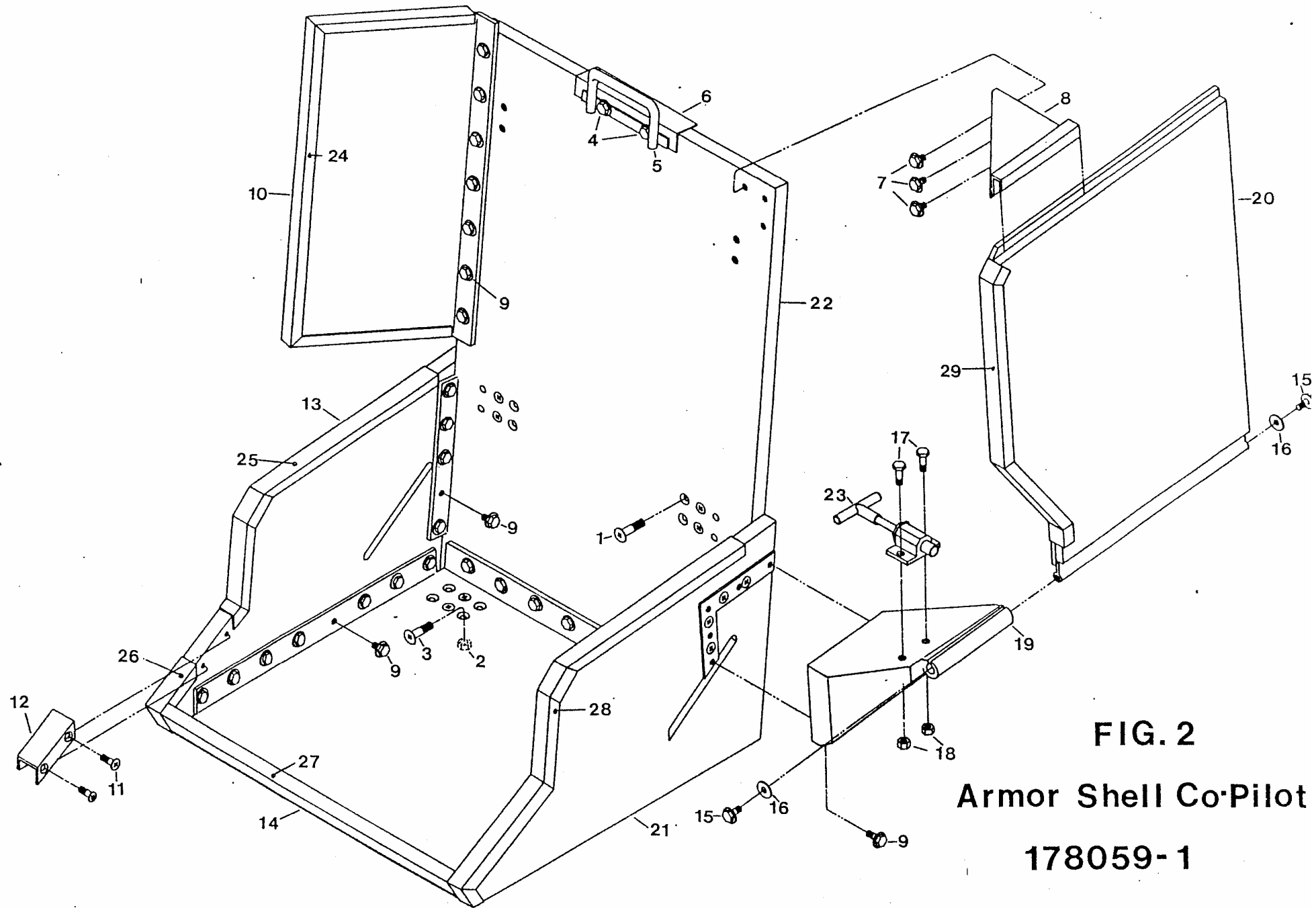


FIG. 2
Armor Shell Co-Pilot
178059-1

FIG. 2 ARMOR SHELL CO-PILOT 178059-1 (NSN: 1680-00-944-7811)

ITEM NO.	NATIONAL STOCK NUMBER	SKYLINE-SPINKS PART NUMBER	DRAWING REVISION	DESCRIPTION	QTY/ASSY.
1	5305-00-058-4011	MS24694S105		SCREW, MACHINE	4
2	5310-00-877-5796	MS21044N4		NUT, SELF-LOCKING	8
3	5305-00-058-4011	MS24694S105		SCREW, MACHINE	8
4	5306-00-932-5199	178010-13		BOLT, SELF-LOCKING	2
5	1680-00-176-1107	178057-2		GUIDE, SHOULDER HARNESS	1
6		178065-1		RUNNER, SHOULDER HARNESS	1
7	5360-00-924-7770	178010-5		BOLT, SELF-LOCKING	3
8	1680-00-977-1823	178055-2		BRACKET, CHANNEL	1
9	5306-00-924-7768	178010-1		BOLT, SELF-LOCKING	46
10	1680-00-975-0200	178042-1		PLATE, ARMOR SEAT INBOARD	1
11	5305-00-900-0594	MS24693S70		SCREW, MACHINE	2
12	1680-00-977-1964	178053-1		BRACKET	1
13	1680-00-975-0194	178050-2		PLATE, ARMOR SEAT	1
14	1680-00-975-0199	178044-1		PLATE, ARMOR SEAT	1
15	5306-00-924-7771	178010-7		BOLT, SELF-LOCKING	2
16	5310-00-837-2139	177771-3		WASHER, PLAIN SLIDING	2
17	5306-00-151-1426	AN4-6A		BOLT, MACHINE	2

FIG. 2 ARMOR SHELL CO-PILOT 178059-1 (NSN: 1680-00-944-7811)

ITEM NO.	NATIONAL STOCK NUMBER	SKYLINE-SPINKS PART NUMBER	DRAWING REVISION	DESCRIPTION	QTY/ASSY.
18	5310-00-877-5796	MS21044N4		NUT, SELF-LOCKING	2
19	1680-00-181-3592	178054-12		BRACKET, LOWER ARMOR	1
20	1680-00-977-1973	178038-1		PLATE, ARMOR SEAT	1
21	1680-00-977-2019	178052-2		PLATE, ARMOR SEAT	1
22	1680-00-975-0197	178046-1		PLATE, ARMOR SEAT	1
23	1680-00-883-1673	177778-5		LATCH, ARMOR SEAT	1
24		SKS 80-7		RUBBER EDGING	1
25		SKS 80-2		RUBBER EDGING	1
26		SKS 80-3		RUBBER EDGING	1
27		SKS 80-4		RUBBER EDGING	1
28		SKS 80-5		RUBBER EDGING	1
29		SKS 80-1		RUBBER EDGING	1

FIG. 3
Carriage Assy.
AL1040-15-00

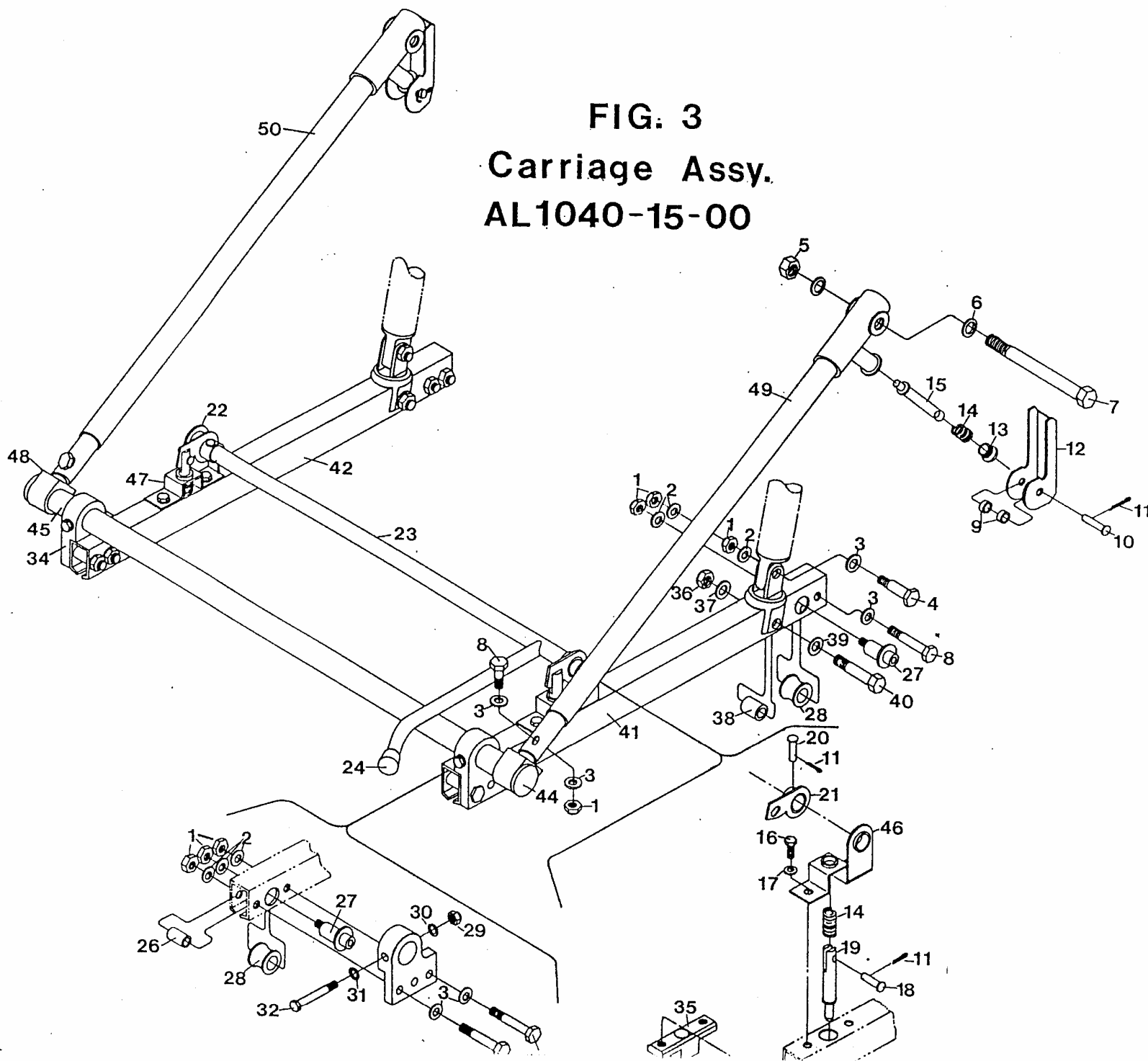


FIG. 3 CARRIAGE ASSY. AL1040-15-00 (NSN: 1680-00-140-3520)

ITEM NO.	NATIONAL STOCK NUMBER	SKYLINE-SPINKS PART NUMBER	DRAWING REVISION	DESCRIPTION	QTY/ASSY.
1	5310-00-061-7325	MS21045-4		NUT, SELF-LOCKING	14
2	5310-00-141-1795	AN960-416		WASHER, FLAT	12
3	5310-00-167-0835	AN960-416L		WASHER, FLAT	12
4	5306-00-247-7244	AL1040-10-08		BOLT, SPECIAL	2
5	5310-00-582-4908	MS21045-6		NUT, SELF-LOCKING	2
6	5310-00-167-0837	AN960-616L		WASHER, FLAT	2
7	5306-00-275-9561	AN6-40A		BOLT, MACHINE	2
8	5306-00-151-1422	AN4-12A		BOLT, MACHINE	4
9	5365-00-404-3335	AL1040-29-34		SPACER, SLEEVE	4
10	5315-00-080-1941	MS20392-2C29		PIN, STRAIGHT HEADED	2
11	5315-00-815-1405	MS24665-151		PIN, COTTER	6
12	1680-00-251-2533	AL1040-29-30		LEVER, CAM RELEASE	2
13	5365-00-247-7243	AL1031-20-05		BUSHING, MACHINE THREAD	2
14	1680-00-872-3283	ALS 68		SPRING	4
15	5315-00-251-8731	AL1040-29-31		PIN, CLEVIS	2
16	5306-00-722-0393	AN3-4A		BOLT, MACHINE	4
17	5310-00-576-5752	MS35333-39		WASHER, LOCK	4

FIG. 3 CARRIAGE ASSY. AL1040-15-00 (NSN: 1680-00-140-3520)

ITEM NO.	NATIONAL STOCK NUMBER	SKYLINE-SPINKS PART NUMBER	DRAWING REVISION	DESCRIPTION	QTY/ASSY.
18	5315-00-951-2395	MS20392-2C13		PIN, STRAIGHT HEADED	2
19	5340-00-871-8784	AL1007-15-21		CLEVIS, PIN	2
20	5315-00-812-3757	MS20392-1C21		PIN, STRAIGHT HEADED	2
21	1680-00-247-7233	AL1040-17-00		PIN, ASSY, STOP-LH	1
22	1680-00-247-7234	AL1040-18-00		PIN, ASSY, STOP-RH	1
23	1680-00-061-6100	AL1019-16-00		LEVER, ADJUSTMENT	1
24	5340-00-720-6327	149-0500		TIP, RUBBER	1
25	5306-00-151-1419	AN4-15A		BOLT, MACHINE	4
26	5365-00-247-3436	AL1040-10-03		SPACER, SLEEVE	4
27	1680-00-247-7232	AL1040-15-10		BOLT ASSY, ECCENTRIC	4
28	1680-00-872-1241	AL1018-15-13		CARRIAGE ROLLER	4
29	5310-00-061-7326	MS21045-3		NUT, SELF-LOCKING	2
30	5310-00-167-0834	AN960-10L		WASHER, FLAT	2
31		AN960-10		WASHER, FLAT	2
32	5306-00-151-0779	AN3-15A		BOLT, MACHINE	2
33		AL1040-15-03		BRACKET, LH	1
34		AL1040-15-04		BRACKET, RH	1

FIG. 3 CARRIAGE ASSY. AL1040-15-00 (NSN: 1680-00-140-3520)

ITEM NO.	NATIONAL STOCK NUMBER	SKYLINE-SPINKS PART NUMBER	DRAWING REVISION	DESCRIPTION	QTY/ASSY.
35	1680-00-251-2523	AL1018-15-22		BRACKET, CHANNEL	2
36	5310-00-982-4912	MS21045-5		NUT, SELF-LOCKING	2
37	5310-00-167-0836	AN960-516L		WASHER, FLAT	2
38	5365-00-404-3334	AL1040-10-03		SPACER, SLEEVE	2
39		AN960-516		WASHER, FLAT	2
40	5306-00-180-1923	AN5-14A		BOLT, MACHINE	2
41	1680-01-045-5878	AL1040-15-01		CHANNEL, LH	1
42	1680-01-045-5877	AL1040-15-02		CHANNEL, RH	1
43		AL1040-15-07		TUBE, CARRIAGE	1
44		AL1040-15-08		PLUG	2
45		AL1040-15-09		SPACER, SLEEVE	2
46	1680-00-333-2897	AL1018-15-15		BRACKER, BEARING LH	1
47	1680-00-333-2898	AL1018-15-16		BRACKET, BEARING RH	1
48		AL1040-29-09		ROD END	2
49		AL1040-29-00		SIDE BRACE ASSY, LH	1
50		AL1040-30-00		SIDE BRACK ASSY, RH	1

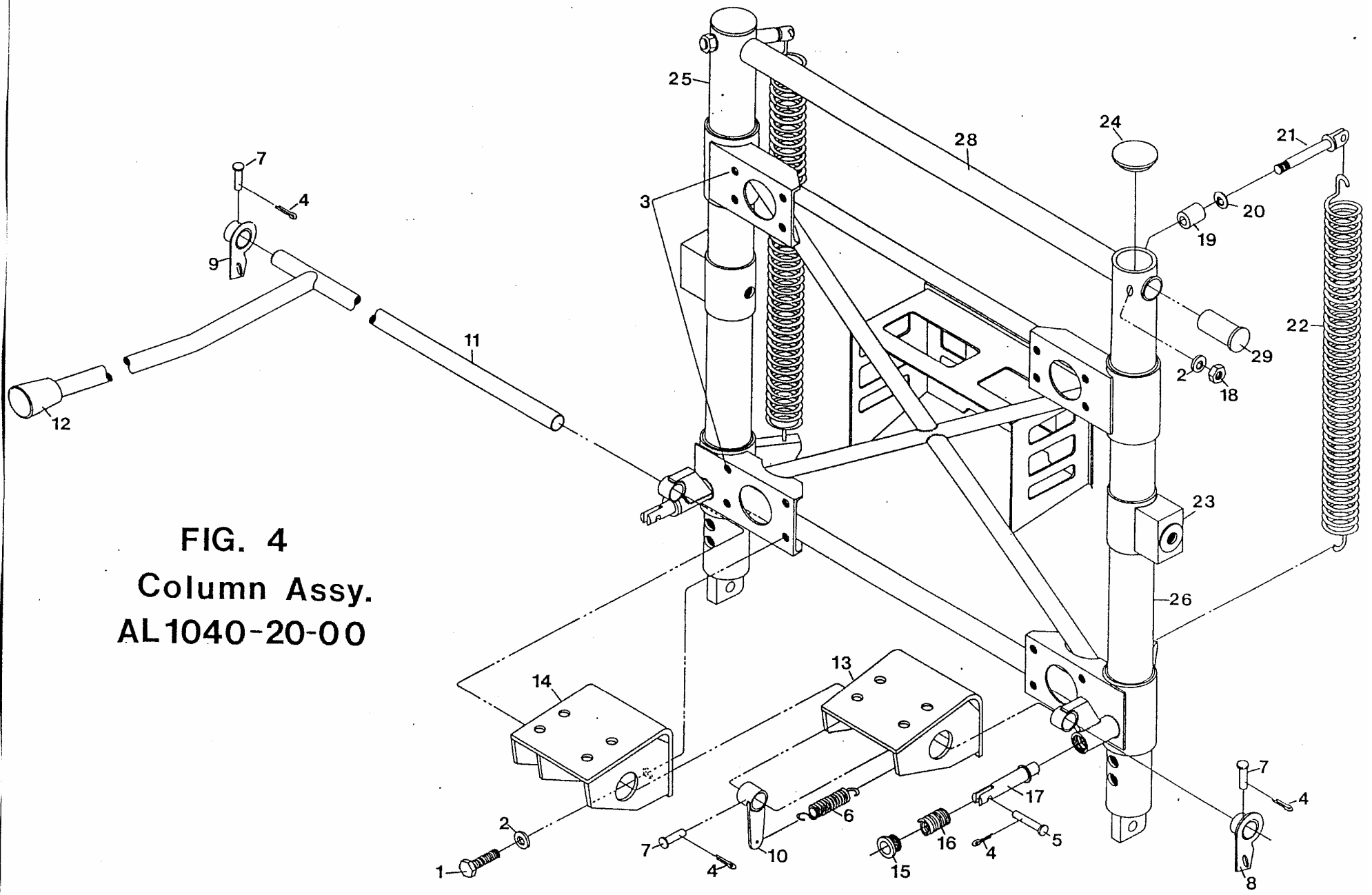


FIG. 4
Column Assy.
AL 1040-20-00

FIG. 4 COLUMN ASSY. AL1040-20-00 (NSN: 1680-00-169-0944)

ITEM NO.	NATIONAL STOCK NUMBER	SKYLINE-SPINKS PART NUMBER	DRAWING REVISION	DESCRIPTION	QTY/ASSY.
1	5306-00-150-9105	AN4-4A		BOLT, MACHINE	8
2	5310-00-167-0835	AN960-416L		WASHER, FLAT	10
3	5310-00-784-8145	MS21075L4		NUT, SELF-LOCKING, PLATE	16
4	5315-00-815-1405	MS24665-151		PIN, COTTER	5
5	5315-00-951-2395	MS20392-2C13		PIN, STRAIGHT, HEADED	2
6		MS24586-C143		SPRING, EXPANSION	1
7	5315-00-812-3757	MS20392-1C21		PIN, STRAIGHT, HEADED	3
8	1680-00-247-7233	AL1040-17-00		PIN, ASSY, STOP-LH	1
9	1680-00-247-7234	AL1040-18-00		PIN, ASSY, STOP-RH	1
10	1680-00-251-2527	AL1031-10-10		BELL, CRANK	1
11	1680-00-247-7235	AL1040-21-00		LEVER, SEAT ELEVATION	1
12	5340-00-720-6327	149-050		TIP, RUBBER	1
13		AL1040-25-31		BRACKET, LH	1
14		AL1040-25-32		BRACKET, RH	1
15	5365-00-247-7243	AL1031-20-05		BUSHING, MACHINE THREAD	2
16	1680-00-872-3283	ALS 68		SPRING, SEAT ASSEMBLY	2
17	5340-00-871-8785	AL1007-20-06		CLEVIS, ROD END	2

FIG. 4 COLUMN ASSY. AL1040-20-00 (NSN: 1680-00-169-0944)

ITEM NO.	NATIONAL STOCK NUMBER	SKYLINE-SPINKS PART NUMBER	DRAWING REVISION	DESCRIPTION	QTY/ASSY.
18	5310-00-061-7325	MS21045-4		NUT, SELF LOCKING	2
19	1680-00-454-4434	AL1007-10-05		SPACER	2
20	5310-00-141-1795	AN960-416		WASHER, FLAT	2
21	5306-00-271-6851	AN43B-21A		BOLT, EYE	2
22	5360-00-404-3336	ALS 150		SPRING, HELICAL	2
23	1680-00-251-2532	AL1040-29-01		SADDLE AND SLEEVE	2
24		ALS 207		BUTTON, PLUG	2
25		AL1040-22-00		COLUMN, RH	1
26		AL1040-23-00		COLUMN, LH	1
27		AL1040-25-00		FRAME, BEARING	1
28	1680-00-333-2876	AL1018-23-03		TUBE, COLUMN CROSS	1
29	1680-00-333-2882	AL1018-23-04		PLUG	2

FIG. 5
Bucket Assy.
AL1040-60-00

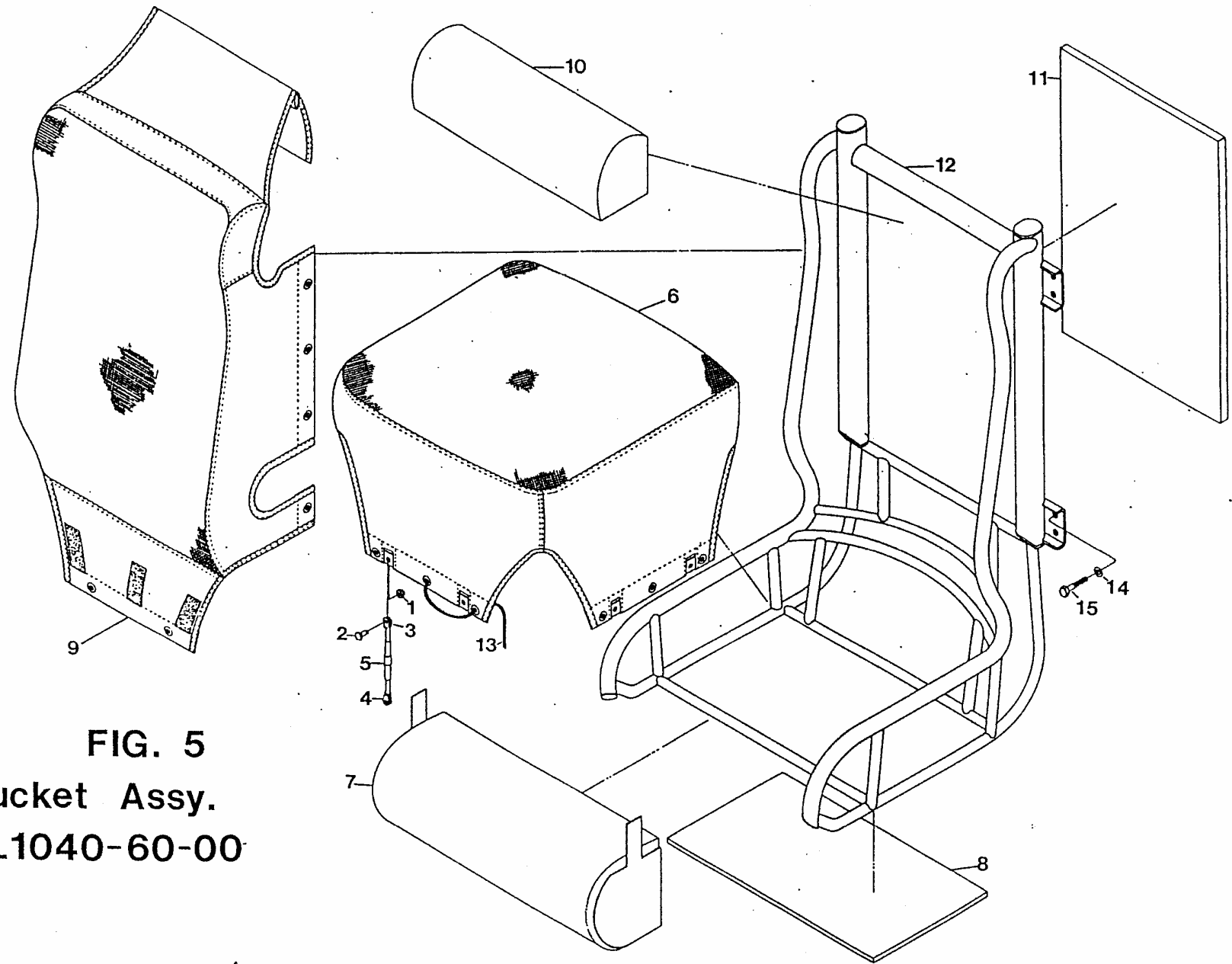


FIG. 5 BUCKET ASSY. AL1040-60-00 (NSN: 1680-00-168-5768)

ITEM NO.	NATIONAL STOCK NUMBER	SKYLINE-SPINKS PART NUMBER	DRAWING REVISION	DESCRIPTION	QTY/ASSY.
1	5310-00-263-2862	MS21045-3		NUT, SELF-LOCKING	8
2	5306-00-274-2119	AN3-5A		BOLT, MACHINE	8
3	5340-00-068-0526	MS21252-2LS		CLEVIS, ROD END	4
4	5340-00-067-0525	MS21252-2RS		CLEVIS, ROD END	4
5	5340-00-067-9871	MS21251-B2S		TURNBUCKLE, BODY	4
6	1680-00-453-5677	AL1040-11-00		COVER, SEAT BOTTOM	1
7	1680-00-247-7230	AL1040-13-00		PAD, SEAT BOTTOM	1
8	1680-00-251-2540	AL1040-9-00		FILLER, SEAT BACK	1
9	1680-00-453-5678	AL1040-12-00		COVER, SEAT BACK	1
10	1680-00-247-7231	AL1040-14-00		PAD, SEAT BACK	1
11	1680-00-251-2534	AL1040-8-00		FILLER, SEAT BACK	1
12		AL1040-55-00		BUCKET, SEAT FRAME	1
13				CORD, NYLON	A/R
14	5306-00-167-0835	AN960-416L		WASHER, FLAT	4
15		AN4-13A		BOLT, MACHINE	4